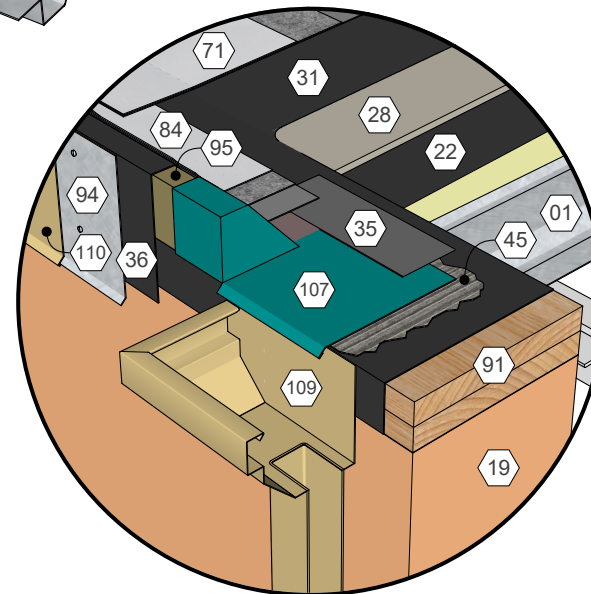


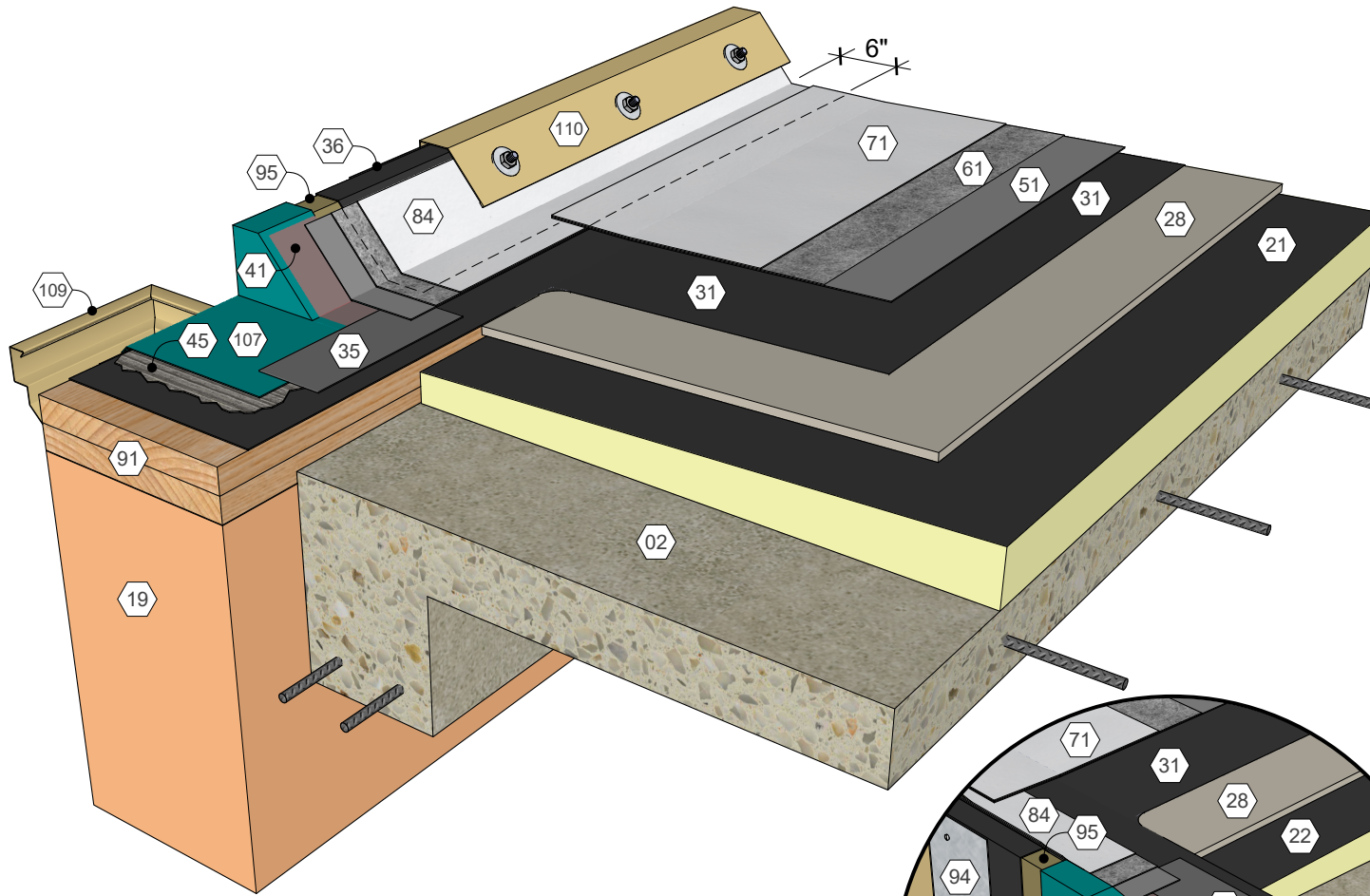
KEY NOTES

- 01 Metal Deck
- 09 Roof Structure
- 19 Wall Assembly
- 22 Polyisocyanurate Insulation (Fastened or Adhered)
- 28 Cover Board (Adhered)
- 31 Approved Base Ply Sheet
- 35 Stripping Ply
- 36 Base Sheet Liner
- 41 Approved Primer
- 45 Roofing Mastic
- 51 AlphaGuard MT/MTS Base Coat
- 61 AlphaGuard Glass Mat or Permafab
- 71 AlphaGuard MT/MTS Top Coat
- 84 AlphaGuard Flashing
- 91 Wood Blocking
- 94 Continuous Cleat
- 95 Cant Strip
- 107 Sheet Metal Scupper
- 109 Sheet Metal Conductor Head
- 110 Sheet Metal Fascia Cap



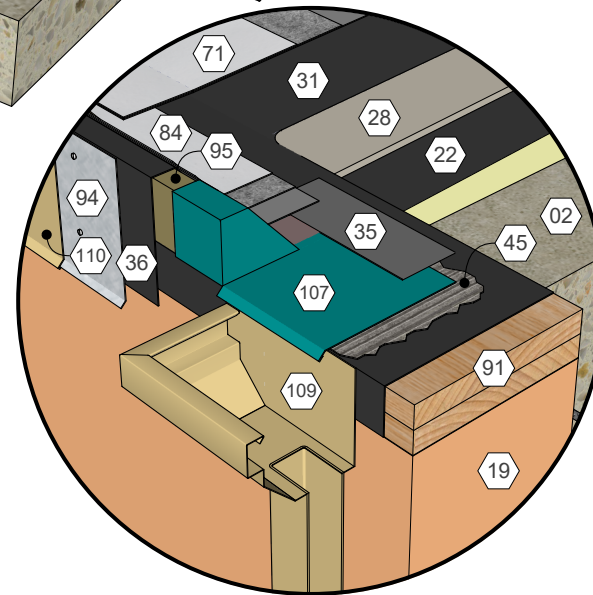
AlphaGuard® MT/MTS Plus Through-Wall Scupper Detail, Metal Deck
Detail 22231

TREMCO
ROOFING & BUILDING MAINTENANCE

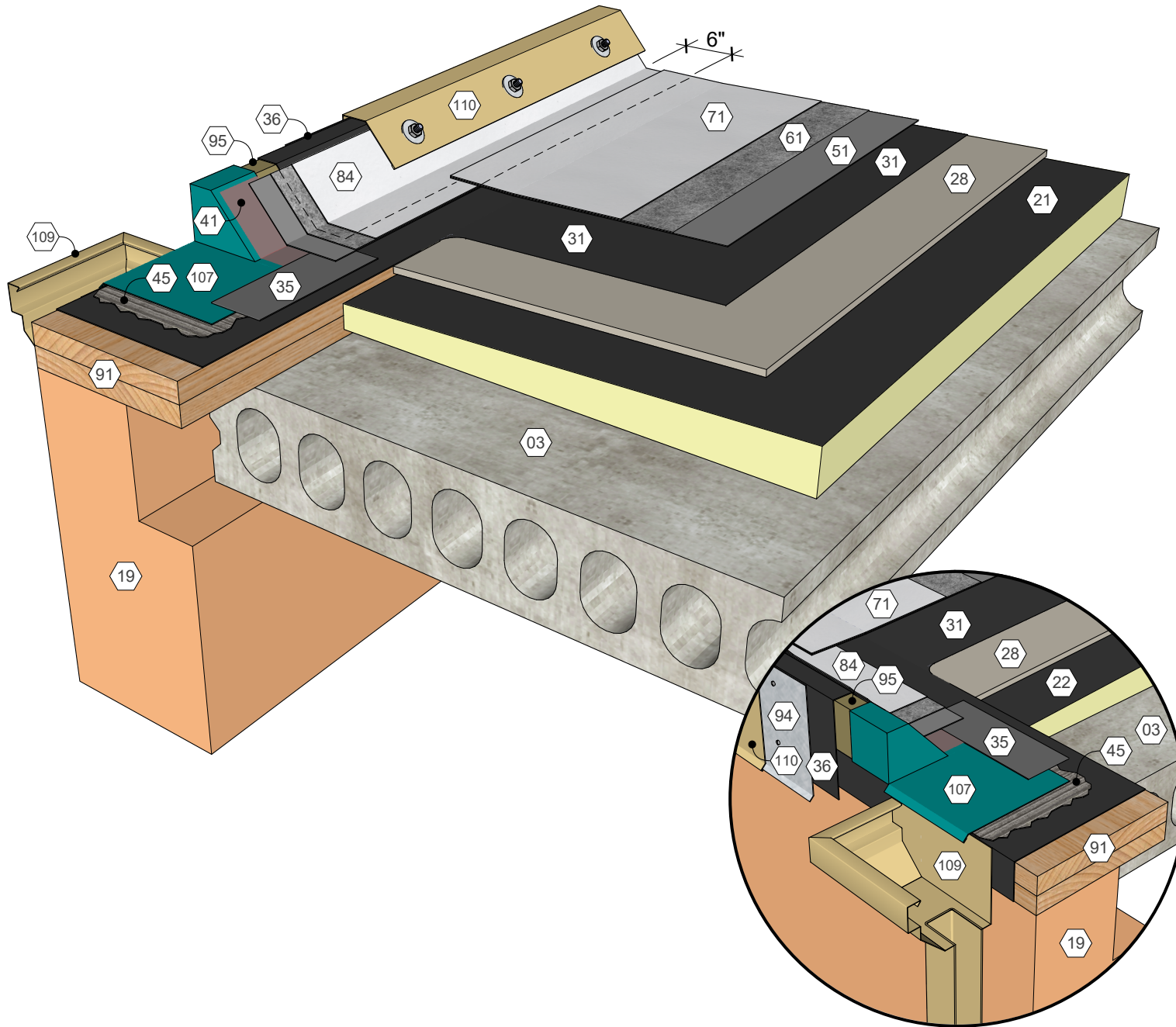


KEY NOTES

- 02 Structural Concrete Deck
- 09 Roof Structure
- 19 Wall Assembly
- 21 Polyisocyanurate Insulation (Adhered)
- 28 Cover Board (Adhered)
- 31 Approved Base Ply Sheet
- 35 Stripping Ply
- 36 Base Sheet Liner
- 41 Approved Primer
- 45 Roofing Mastic
- 51 AlphaGuard MT/MTS Base Coat
- 61 AlphaGuard Glass Mat or Permafab
- 71 AlphaGuard MT/MTS Top Coat
- 84 AlphaGuard Flashing
- 91 Wood Blocking
- 94 Continuous Cleat
- 95 Cant Strip
- 107 Sheet Metal Scupper
- 109 Sheet Metal Conductor Head
- 110 Sheet Metal Fascia Cap



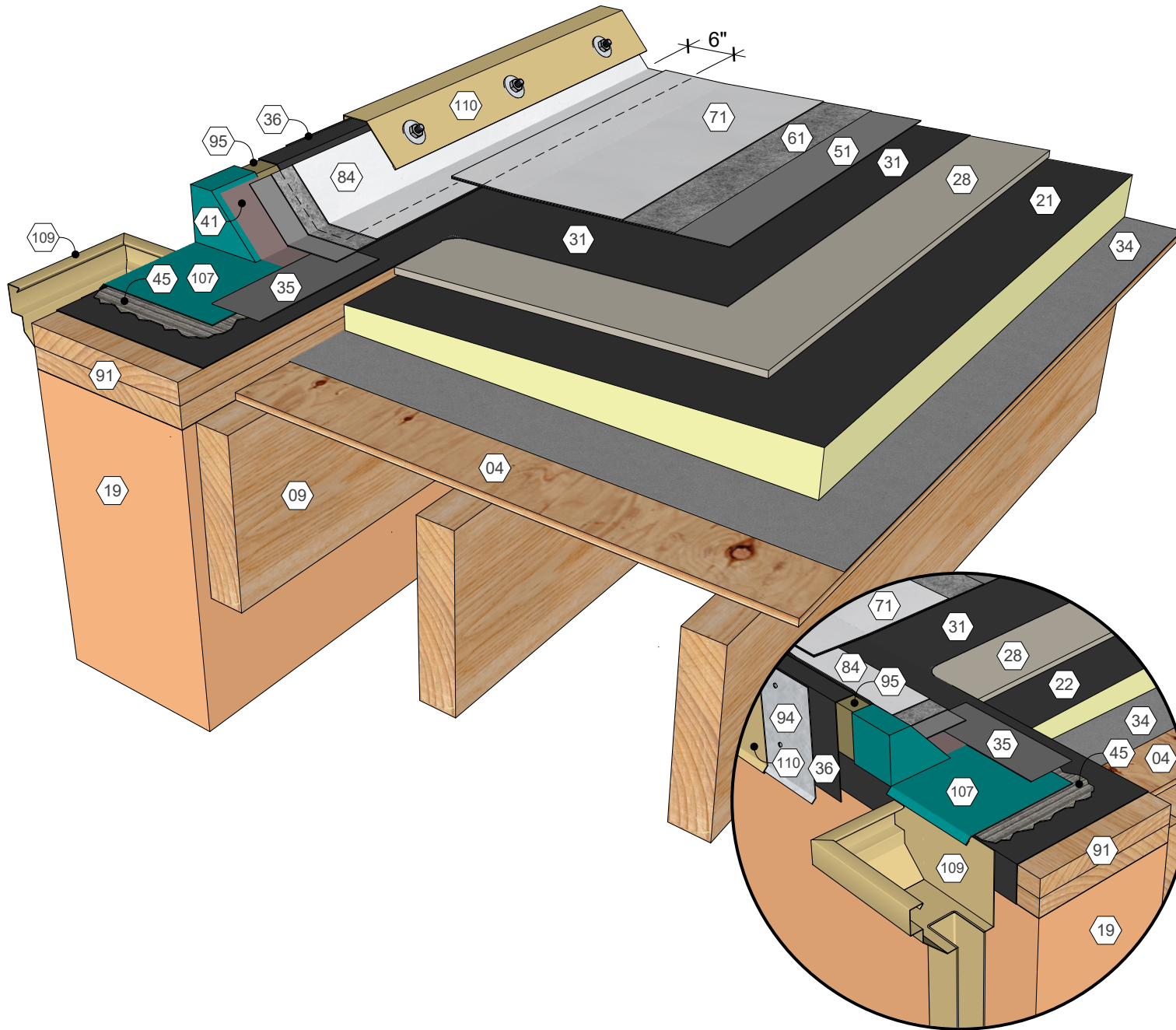
AlphaGuard® MT/MTS Plus Through-Wall Scupper Detail, Structural Concrete Deck
Detail 22232



KEY NOTES

- 03 Precast Concrete Deck
- 09 Roof Structure
- 19 Wall Assembly
- 21 Polyisocyanurate Insulation (Adhered)
- 28 Cover Board (Adhered)
- 31 Approved Base Ply Sheet
- 35 Stripping Ply
- 36 Base Sheet Liner
- 41 Approved Primer
- 45 Roofing Mastic
- 51 AlphaGuard MT/MTS Base Coat
- 61 AlphaGuard Glass Mat or Permafab
- 71 AlphaGuard MT/MTS Top Coat
- 84 AlphaGuard Flashing
- 91 Wood Blocking
- 94 Continuous Cleat
- 95 Cant Strip
- 107 Sheet Metal Scupper
- 109 Sheet Metal Conductor Head
- 110 Sheet Metal Fascia Cap

AlphaGuard® MT/MTS Plus Through-Wall Scupper Detail, Precast Concrete Deck
Detail 22233

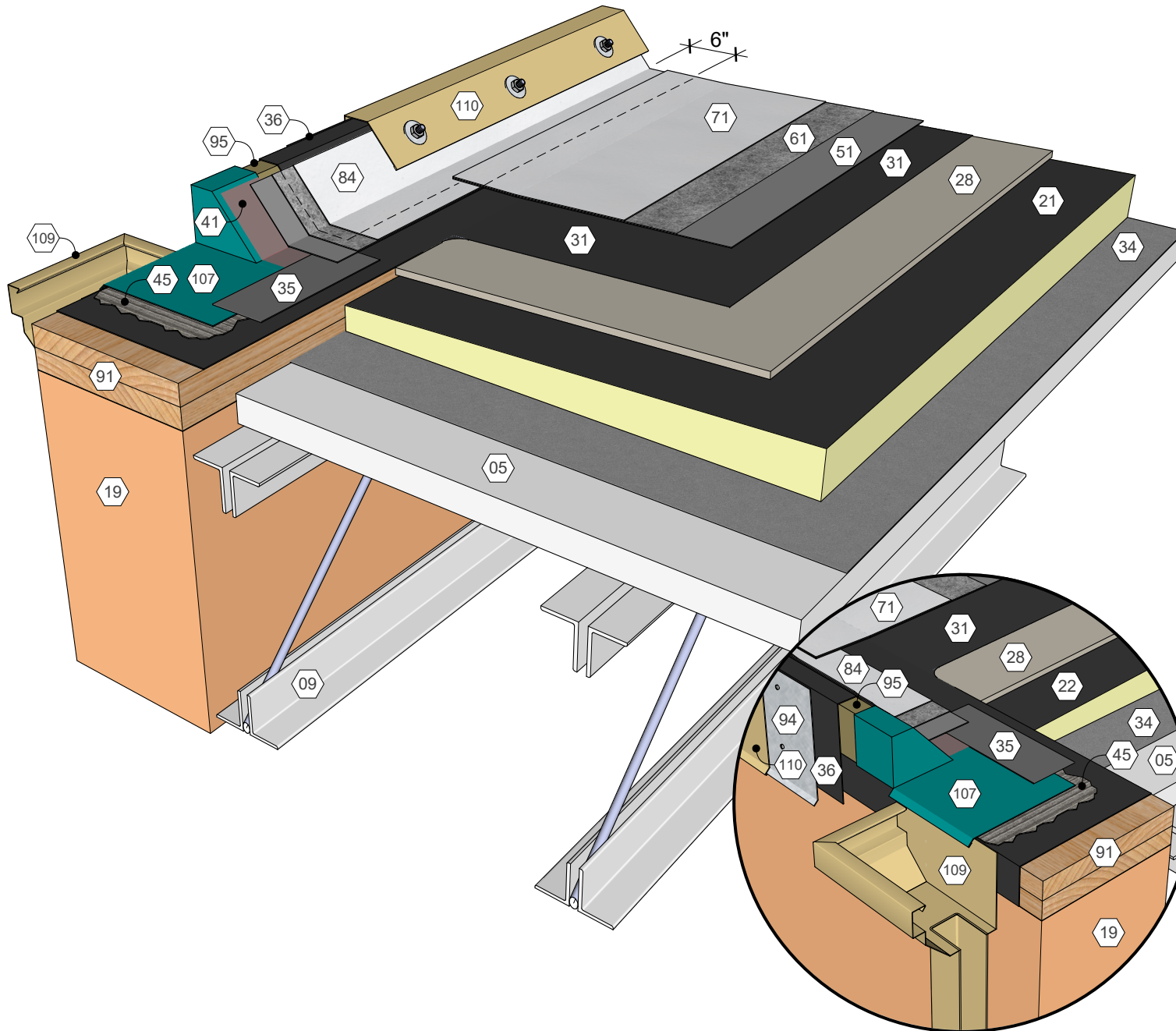


KEY NOTES

- 04 Wood Deck
- 09 Roof Structure
- 19 Wall Assembly
- 21 Polyisocyanurate Insulation (Adhered)
- 28 Cover Board (Adhered)
- 31 Approved Base Ply Sheet
- 34 Base Sheet (Fastened)
- 35 Stripping Ply
- 36 Base Sheet Liner
- 41 Approved Primer
- 45 Roofing Mastic
- 51 AlphaGuard MT/MTS Base Coat
- 61 AlphaGuard Glass Mat or Permafab
- 71 AlphaGuard MT/MTS Top Coat
- 84 AlphaGuard Flashing
- 91 Wood Blocking
- 94 Continuous Cleat
- 95 Cant Strip
- 107 Sheet Metal Scupper
- 109 Sheet Metal Conductor Head
- 110 Sheet Metal Fascia Cap

AlphaGuard® MT/MTS Plus Through-Wall Scupper Detail, Wood Deck
Detail 22234

TREMCO
ROOFING & BUILDING MAINTENANCE



KEY NOTES

- 05 Gypsum Deck
- 09 Roof Structure
- 19 Wall Assembly
- 21 Polyisocyanurate Insulation (Adhered)
- 28 Cover Board (Adhered)
- 31 Approved Base Ply Sheet
- 34 Base Sheet (Fastened)
- 35 Stripping Ply
- 36 Base Sheet Liner
- 41 Approved Primer
- 45 Roofing Mastic
- 51 AlphaGuard MT/MTS Base Coat
- 61 AlphaGuard Glass Mat or Permafab
- 71 AlphaGuard MT/MTS Top Coat
- 84 AlphaGuard Flashing
- 91 Wood Blocking
- 94 Continuous Cleat
- 95 Cant Strip
- 107 Sheet Metal Scupper
- 109 Sheet Metal Conductor Head
- 110 Sheet Metal Fascia Cap

AlphaGuard® MT/MTS Plus Through-Wall Scupper Detail, Gypsum Deck
Detail 22235

TREMCO
ROOFING & BUILDING MAINTENANCE